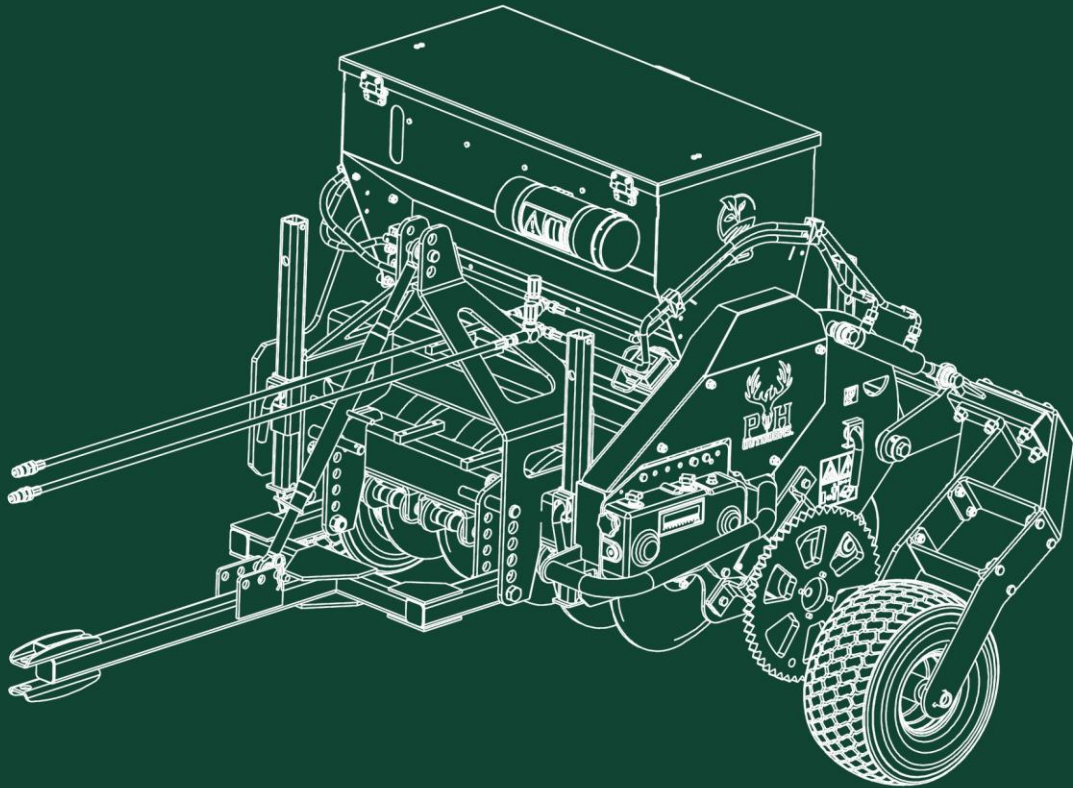


PH OUTDOORS™



G3 No-Till Drill Original Parts Manual

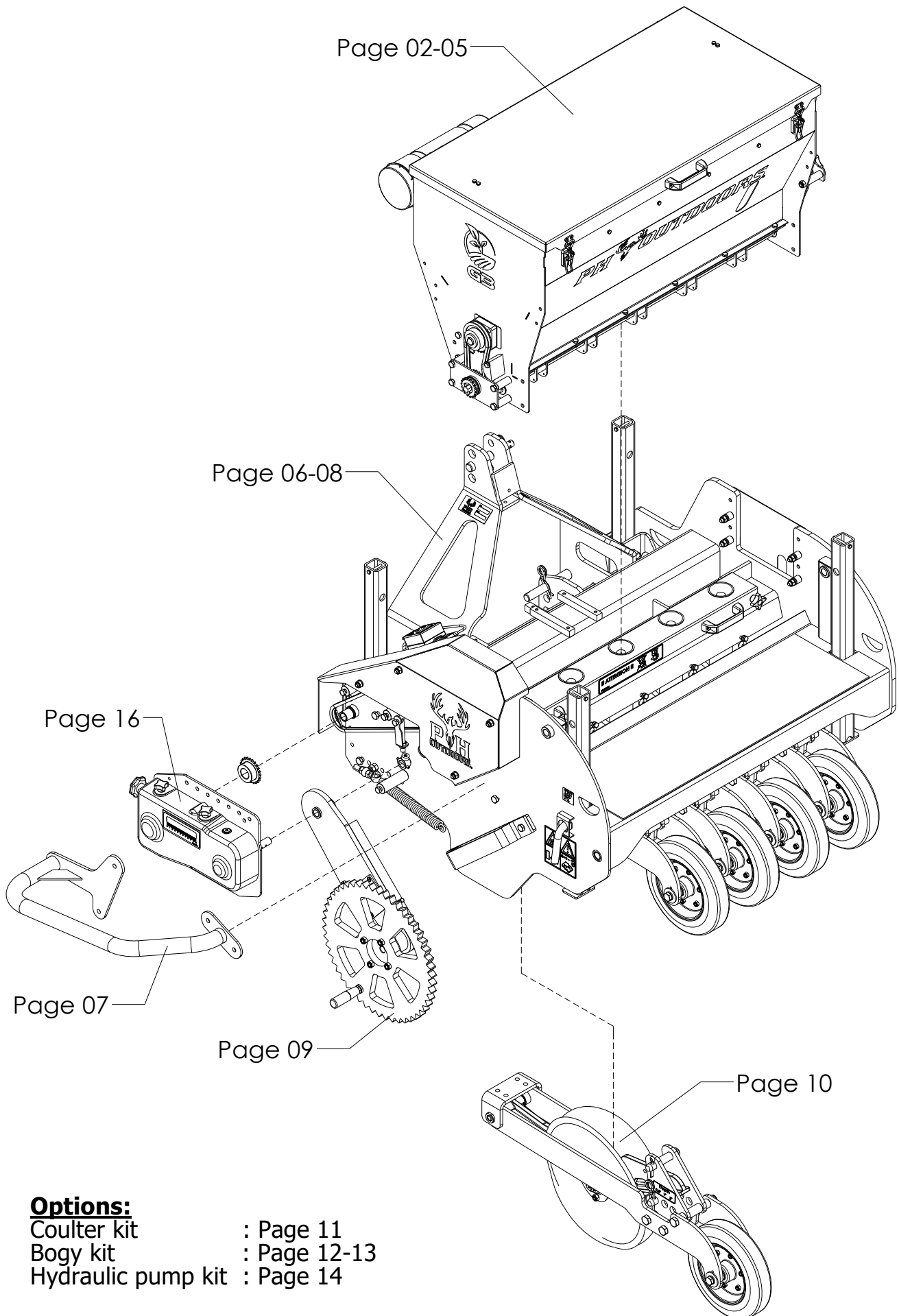


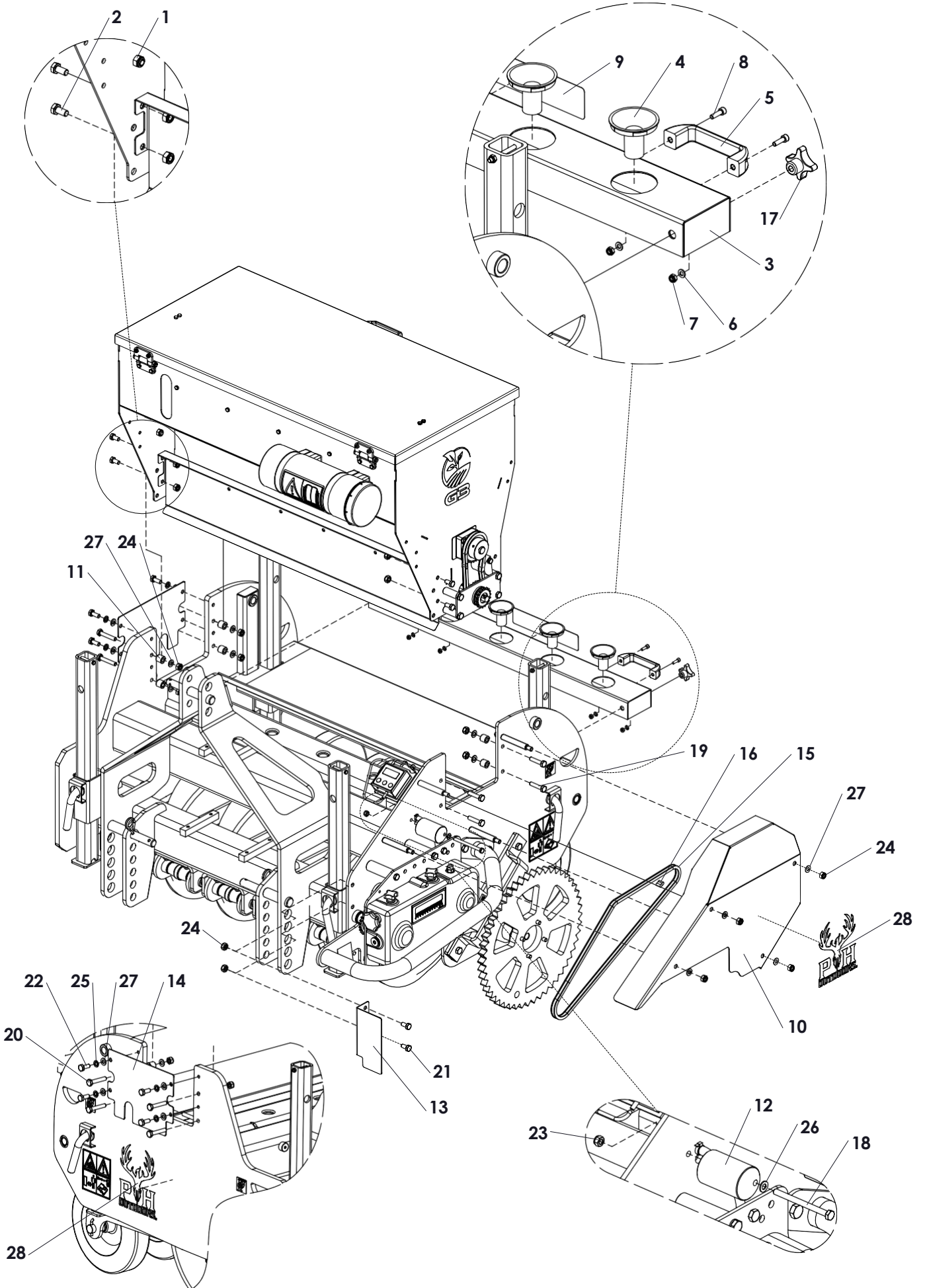
*Illustrations may include optional items that are not included in standard package

PH Outdoors, LLC

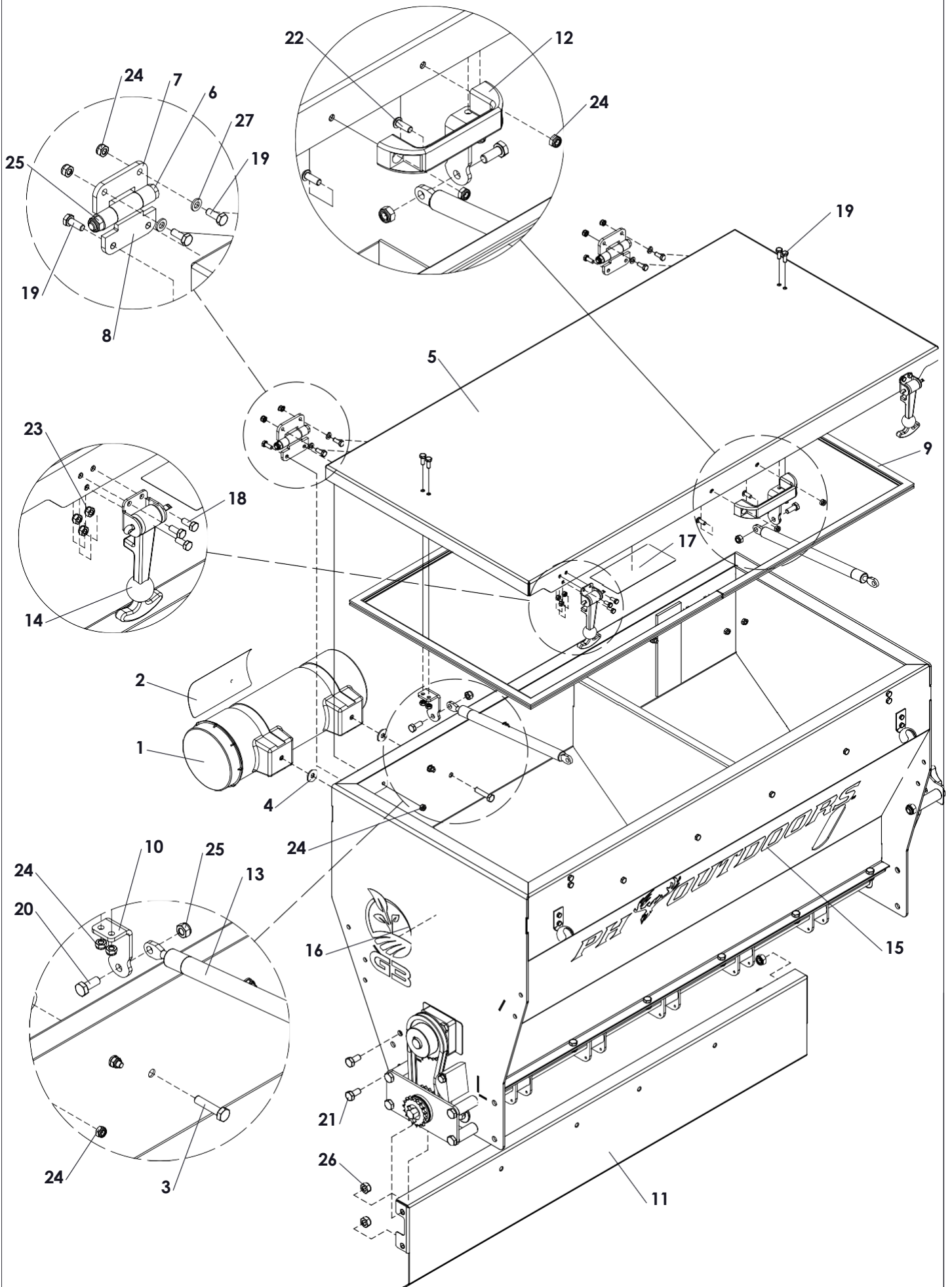
P.O. Box 480
Eureka, MO 63025

**Parts Book
Rev.020525**

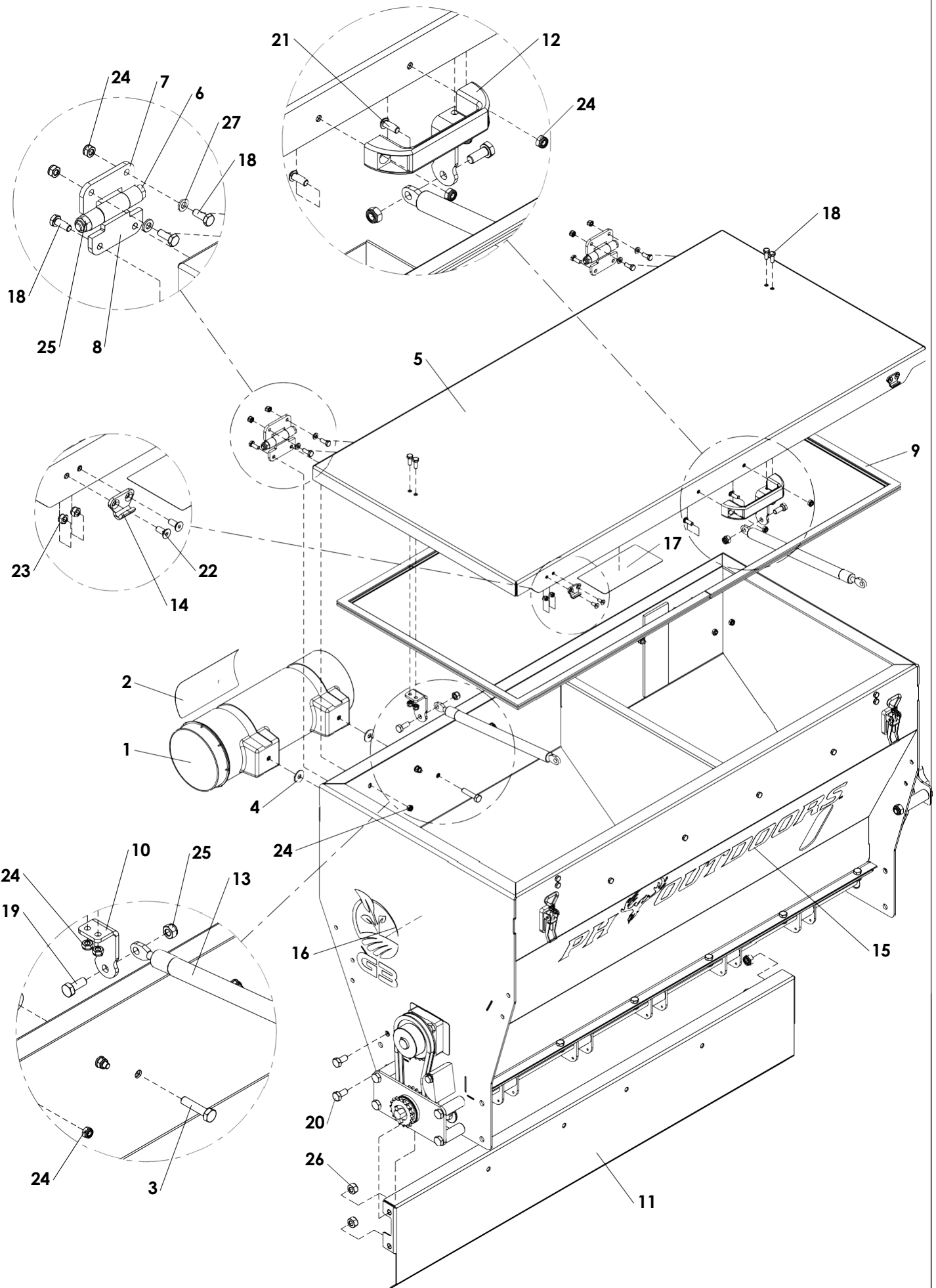




Pos.	Part number	Description	Qty.
1	1710150	Self-Lock Nut M10	18
2	1010020	Bolt M10 x 20	4
3	G300001	Funnel frame	1
4	G000029	Funnel	5
5	3900002	Handle	2
6	2210600	Washer M6	4
7	1706100	Self-Lock Nut M6	4
8	1420620	Bolt M6 x 20	4
9	4010001	Decal funnel	1
10	G000001	Cover G machine	1
11	6010182	Distance bush	8
12	G300032	Spanner	1
13	G000034	Cover plate	1
14	G000002	Cover plate	1
15	3338131	Chain 3/8" 131 shackle	1
16	3438000	Chain connector 3/8"	1
17	1810001	Knob M10	2
18	1108100	Bolt M8 x 100	1
19	1110045	Bolt M10 x 45	4
20	1110055	Bolt M10 x 55	4
21	1010020	Bolt M10 x 20	2
22	1010025	Bolt M10 x 25	4
23	1708125	Self-Lock Nut M8	1
24	1710150	Self-Lock Nut M10	16
25	2221000	Spring Washer M10	4
26	2210600	Washer M6	1
27	2211000	Washer M10	18

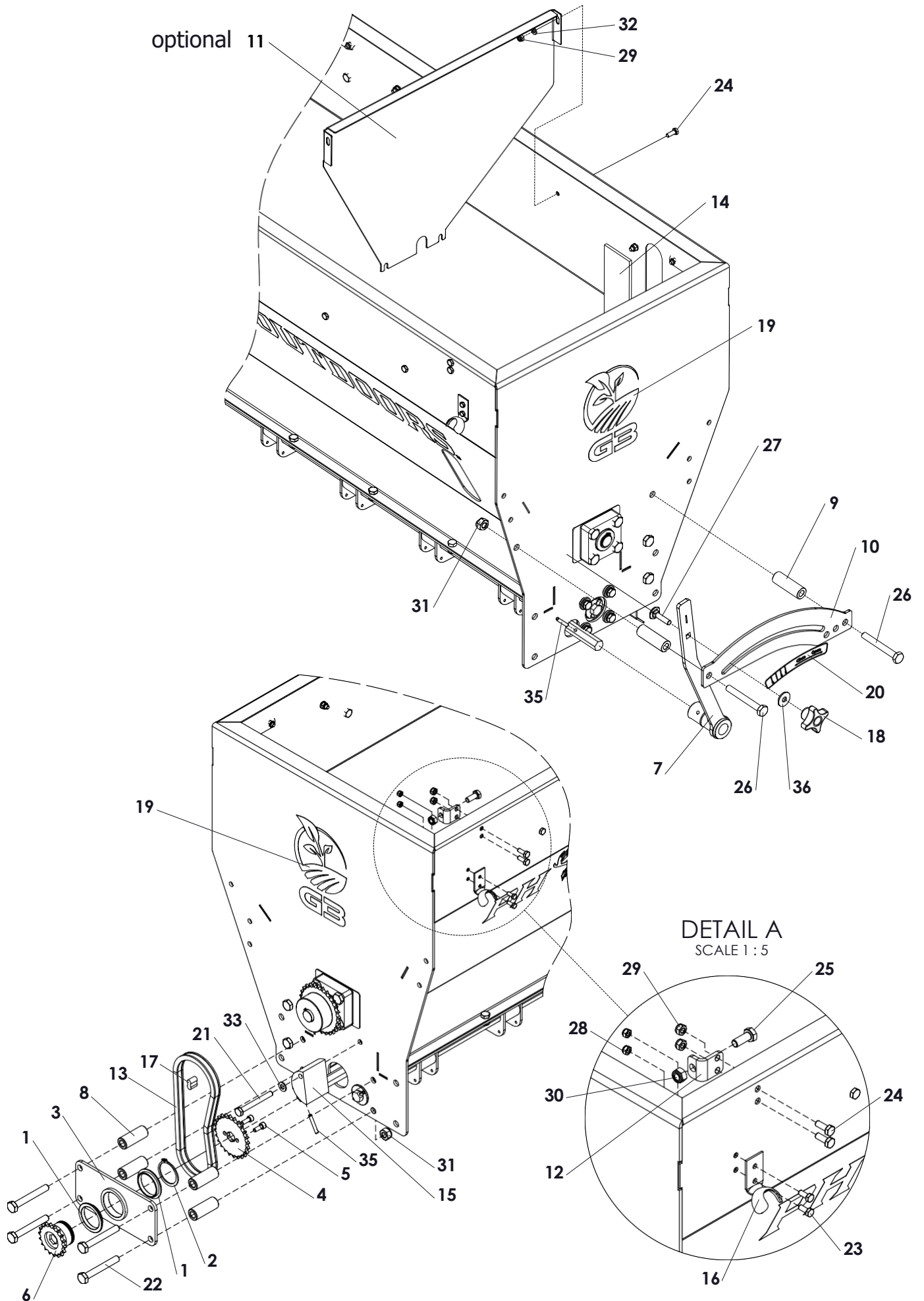


Pos.	Part number	Description	Qty.
1	3900003	Toolbox assembly	1
2	4010002	Safety decal manual	1
3	1008035	Bolt M8 x 35	2
4	2210801	Large washer M8	2
5	G300002	Top cover	1
6	1108075	Bolt M8 x 75	2
7	G000003	Hinge part 1	1
8	G000004	Hinge part 2	1
9	G300003	Rubber U-seal	1
10	G000005	Support L=65mm	2
11	G300004	Cover plate	1
12	3900002	Handle	1
13	G000028	Gas strut	2
14	3900005	Rubber lock assy	2
15	4020000	Label PH Outdoors	1
16	G300005	Label G3	2
17	4200009	Label warning seed hopper	1
18	1005012	Bolt M5 x 12	10
19	1006016	Bolt M6 x 16	52
20	1008020	Bolt M8 x 20	4
21	1010020	Bolt M10 x 20	4
22	2106016	Bolt M6 x 16	2
23	1705080	Self-Lock Nut M5	10
24	1706100	Self-Lock Nut M6	54
25	1708125	Self-Lock Nut M8	19
26	1710150	Self-Lock Nut M10	18
27	2210600	Washer M6	20

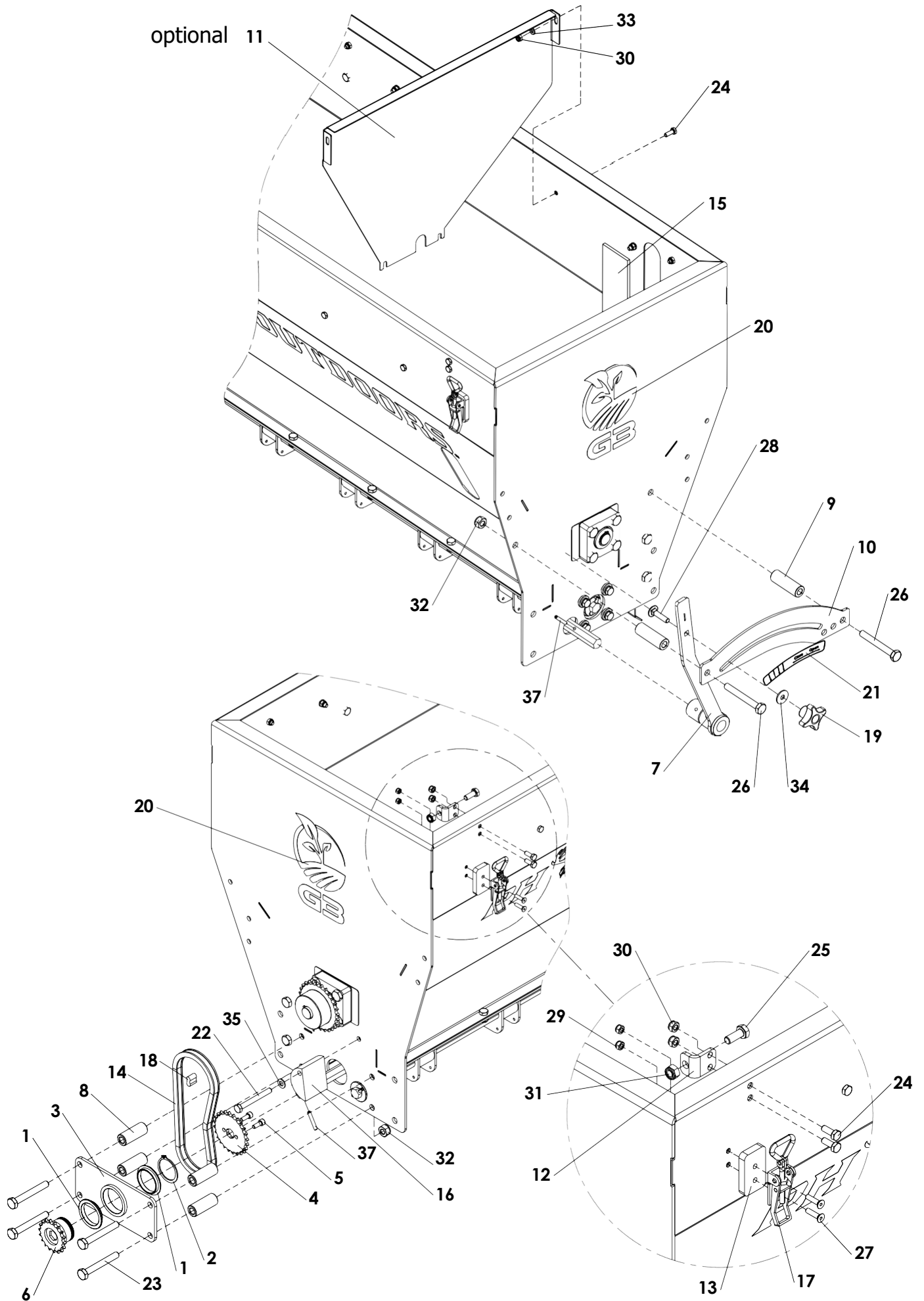


From serial number start with 25.....

Pos.	Part number	Description	Remarks	Qty.
1	3900003	Toolbox assembly		1
2	4010002	Safety decal manual		1
3	1008035	Bolt M8 x 35 - ISO 4017		2
4	2210801	Large washer M8 - DIN 9021		2
5	G300002	Top cover		1
6	1108075	Bolt M8 x 75 - ISO 4014		2
7	G000003	Hinge part 1		2
8	G000004	Hinge part 2		2
9	G300003	Rubber U-seal 1-4mm L=2877		1
10	G000005	Support L=65mm		2
11	G300004	Cover plate		1
12	3900002	Handle		1
13	G000028	Gas strut L=485/stroke=200, F=150N		2
14	G000123	Steel hook clamp lock Assy	From serial number start with 25	2
15	4020000	Label PH Outdoors long		1
16	G300005	Label G3		2
17	4200009	Decal seed hopper		1
18	1006016	Bolt M6 x 16 - ISO 4017		52
19	1008020	Bolt M8 x 20 - ISO 4017		4
20	1010020	Bolt M10 x 20 - ISO 4017		4
21	1420616	Bolt M6 x 16 - ISO 7380		2
22	1410512	Bolt M5x12 - DIN 7991		10
23	1705080	Self-Lock Nut M5 - ISO 10511		10
24	1706100	Self-Lock Nut M6 - ISO 10511		54
25	1708125	Self-Lock Nut M8 - ISO 10511		19
26	1710150	Self-Lock Nut M10 - ISO 10511		18
27	2210600	Washer M6 - ISO 7089		20

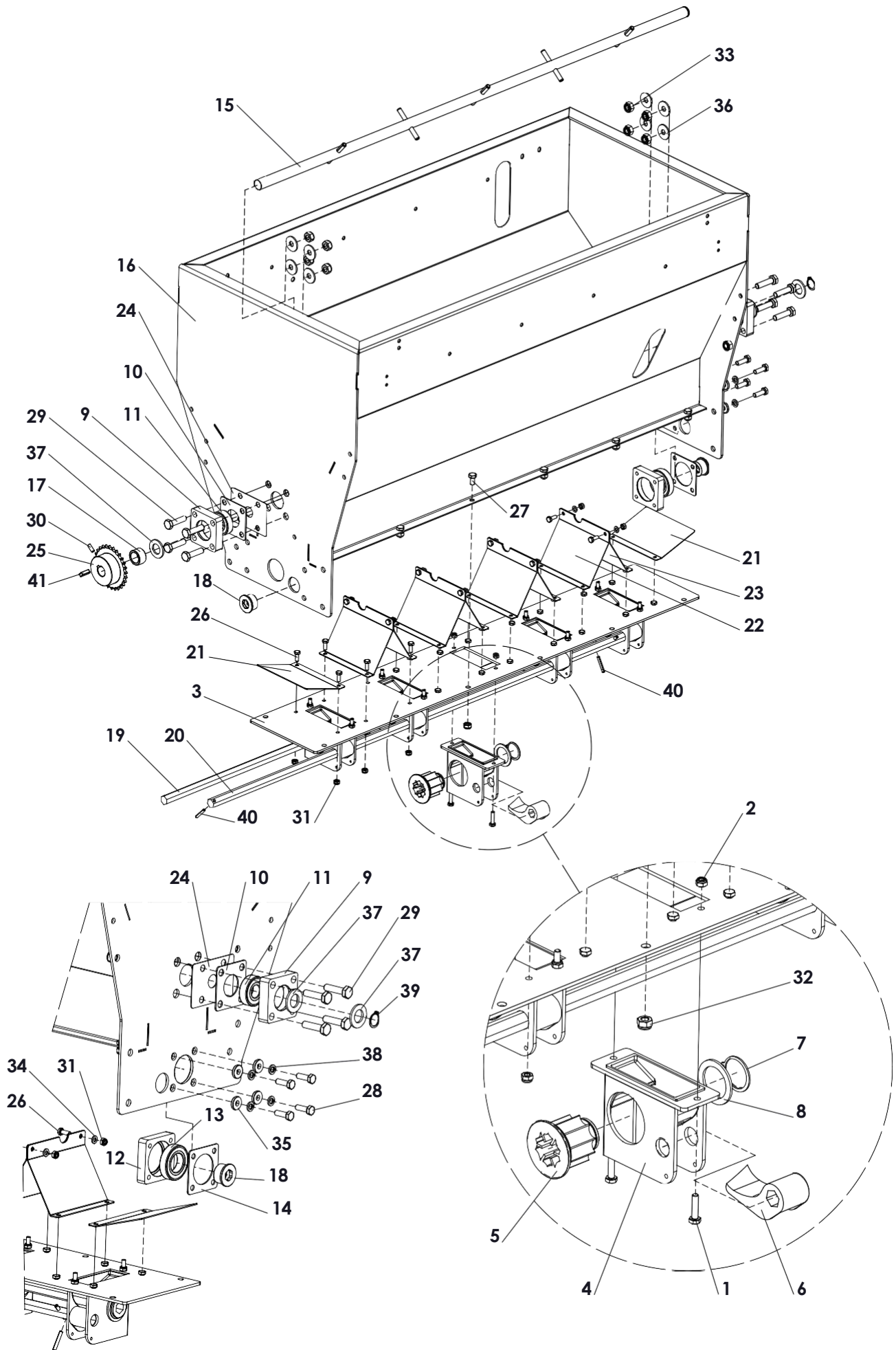


Pos.	Part number	Description	Qty.
1	3240070	Bearing bush	2
2	2614000	Circlip d=40	1
3	G000006	Gear base	1
4	G000007	Sprocket 3/8"	1
5	1420616	Bolt M6 x 16	2
6	G000008	Sprocket 3/8"	1
7	G000009	Handle	1
8	6010050	Distance bush	4
9	6010060	Distance bush	2
10	G000011	Guide strip	1
11	GDO-02	Divider plate (optional)	4
12	G000026	Support	2
13	3338063	Chain 3/8" 63 shackle	1
14	G000027	Window	2
15	G000012	Chain Tensioner	1
16	3900005	Bracket for latch	2
17	3438000	Chain connector 3_8	1
18	1808001	Knob M8	1
19	G300005	Label G3	2
20	4020005	Label adjustment valve	1
21	1108070	Bolt M8 x 70	1
22	1110075	Bolt M10 x 75	4
23	1005012	Bolt M5 x 12	5
24	1006016	Bolt M6 x 16	52
25	1008020	Bolt M8 x 20	4
26	1110080	Bolt M10 x 80	2
27	1308035	MH Bolt M8 x 35	1
28	1705080	Self-Lock Nut M5	5
29	1706100	Self-Lock Nut M6	54
30	1708125	Self-Lock Nut M8	17
31	1710150	Self-Lock Nut M10	18
32	2210600	Washer M6	20
33	2210800	Washer M8	1
34	2211001	Large washer M10	9
35	2405032	Roll pin Ø5x32	4
36	2210801	Large washer M8	1

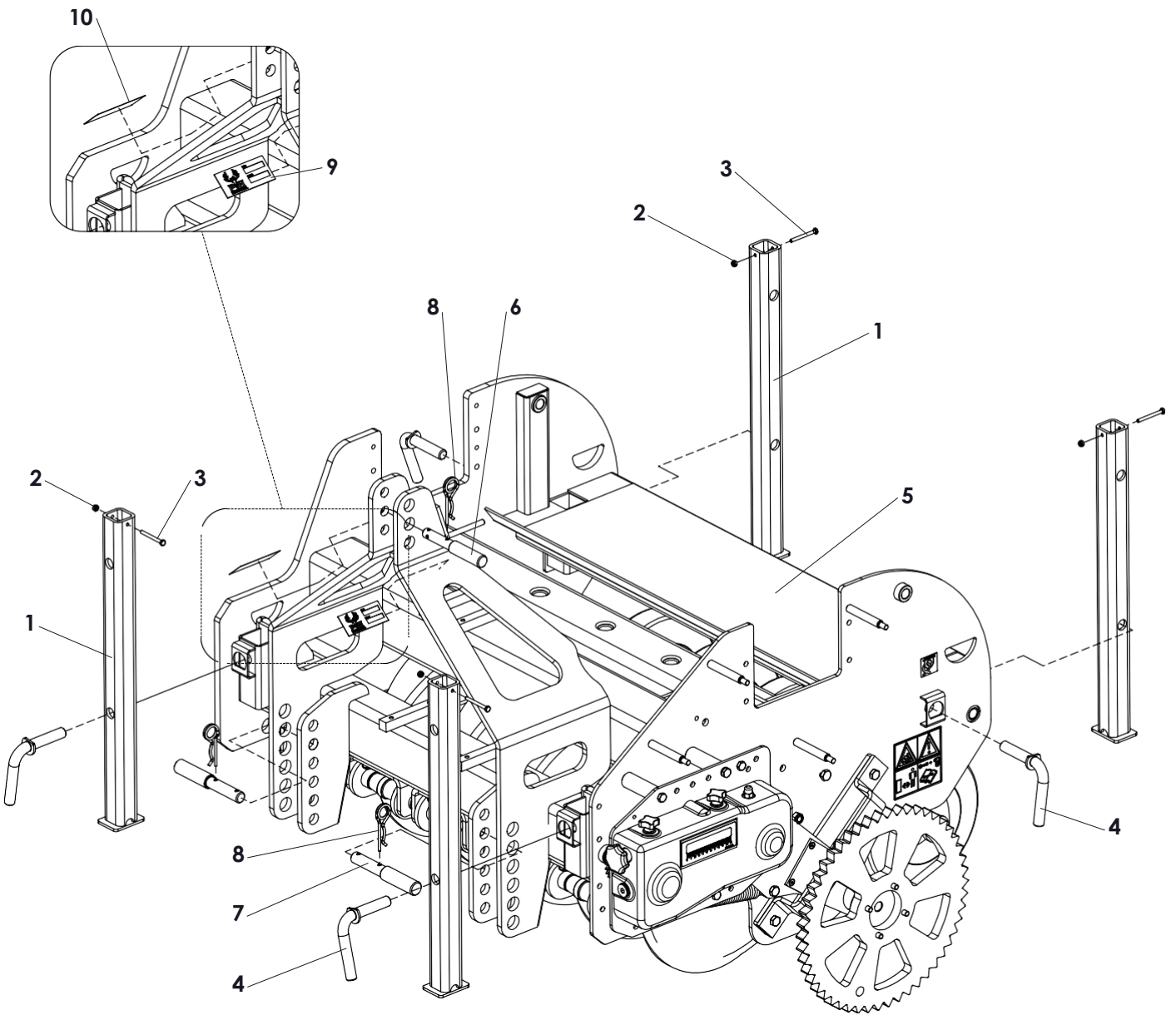


From serial number start with 25.....

Pos.	Part number	Description	Remarks	Qty.
1	3240070	Bearing bush		2
2	2614000	Circlip d=40 - DIN 471		1
3	G000006	Gear base		1
4	G000007	Sprocket 3/8" (06B) simplex 24Z flat		1
5	1420616	Bolt M6 x 16 - DIN 912		2
6	G000008	Sprocket 3/8"(06B) simplex 18Z special		1
7	G000009	Handle		1
8	6010050	Distance bush Ø20/Ø10.5 L=50		4
9	6010060	Distance bush Ø20/Ø10.5 L=60		2
10	G000011	Guide strip		1
11	GDO-02	Divider plate (optional)		4
12	G000026	Support		2
13	G000122	Spacer		2
14	3338063	Chain 3/8" 06B L=605 (63 shackle)		1
15	G000027	Window		2
16	G000012	Chain Tensioner		1
17	G000123	Steel Hook clamp lock Assy	From serial number start with 25....	2
18	3438000	Chain connector 3_8 inch 6B Simply		1
19	1808001	Knob M8 - Din 6335		1
20	G300005	Label G3		2
21	4020005	Label adjustment valve		1
22	1108070	Bolt M8 x 70 - ISO 4014		1
23	1110075	Bolt M10 x 75 - ISO 4014		4
24	1006016	Bolt M6 x 16 - ISO 4017		52
25	1008020	Bolt M8 x 20 - ISO 4017		4
26	1010080	Bolt M10 x 80 - ISO 4017		2
27	1410520	Bolt M5 x 20 - DIN 7991		4
28	1308035	MH Bolt M8 x 35 ISO 8677		1
29	1705080	Self-Lock Nut M5 - ISO 10511		5
30	1706100	Self-Lock Nut M6 - ISO 10511		54
31	1708125	Self-Lock Nut M8 - ISO 10511		17
32	1710150	Self-Lock Nut M10 - ISO 10511		18
33	2210600	Washer M6 - ISO 7089		20
34	2210801	Large washer M8 - DIN 9021		1
35	2210800	Washer M8 - ISO 7089		1
36	2211001	Large washer M10 - DIN 9021		8
37	2405032	Roll pin Ø5x32		4

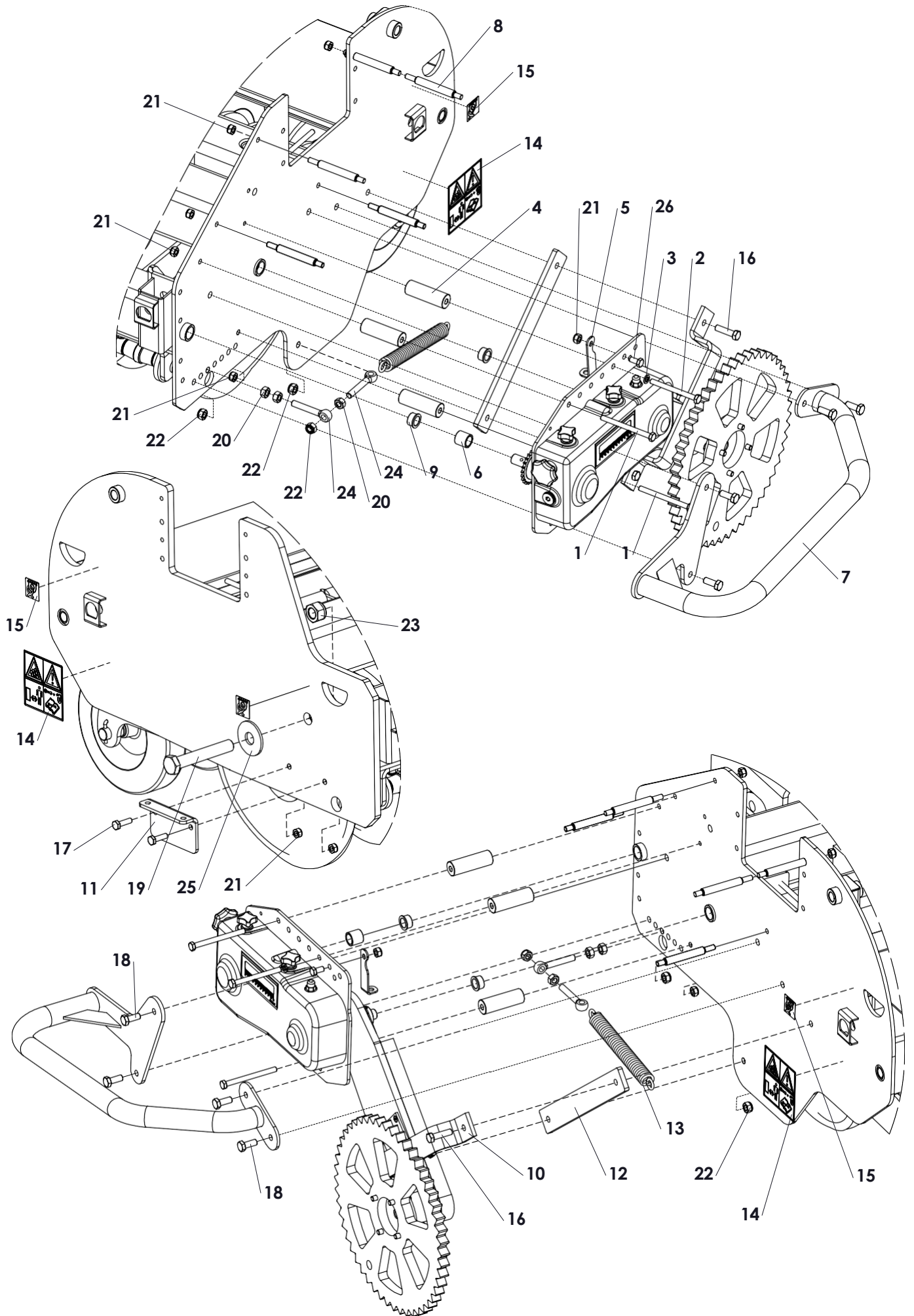


Pos.	Part number	Description	Qty.
1	1006025	Bolt M6 x 25	10
2	1706100	Self-Lock Nut M6	10
3	G300033	Plate	1
4	G000013	Seed element casing	1
5	G000014	Seed element rotor	1
6	G000015	Seed element valve	1
7	2613200	Circlip d=32	1
8	G000016	Washer	1
9	G000017	Bearing block	2
10	G000018	Cover plate large hole	2
11	2806204	Bearing 6204 2RS	2
12	G000097	Bearing block	1
13	2806006	Bearing 6006 LLU	1
14	G000098	Cover plate	1
15	G300006	Agitator shaft	1
16	G300007	Seed hopper	1
17	6021017	Distance bush D30/D21 L=17.5	1
18	G000024	Bush	2
19	G300008	Hexagon Shaft	1
20	G300009	Hexagon shaft	1
21	G000019	Divider side plate	2
22	G000020	Divider plate left	4
23	G000021	Divider plate right	4
24	G000022	Cover plate	2
25	G000023	Sprocket 3/8"	1
26	1006016	Bolt M6 x 16	43
27	1008016	Bolt M8 x 16	12
28	1008025	Bolt M8 x 25	4
29	1010040	Bolt M10 x 40	8
30	2506016	Set screw M6 x 16	1
31	1706100	Self-Lock Nut M6	47
32	1708125	Self-Lock Nut M8	15
33	1710150	Self-Lock Nut M10	15
34	2210600	Washer M6	14
35	2210802	Washer M8	4
36	2211001	Large washer M10	9
37	2212000	Washer M20	3
38	2220800	Spring Washer M8	4
39	2612000	Circlip d=20	1
40	2405032	Roll pin Ø5x32	4
41	4160025	Key 6x6x25	1

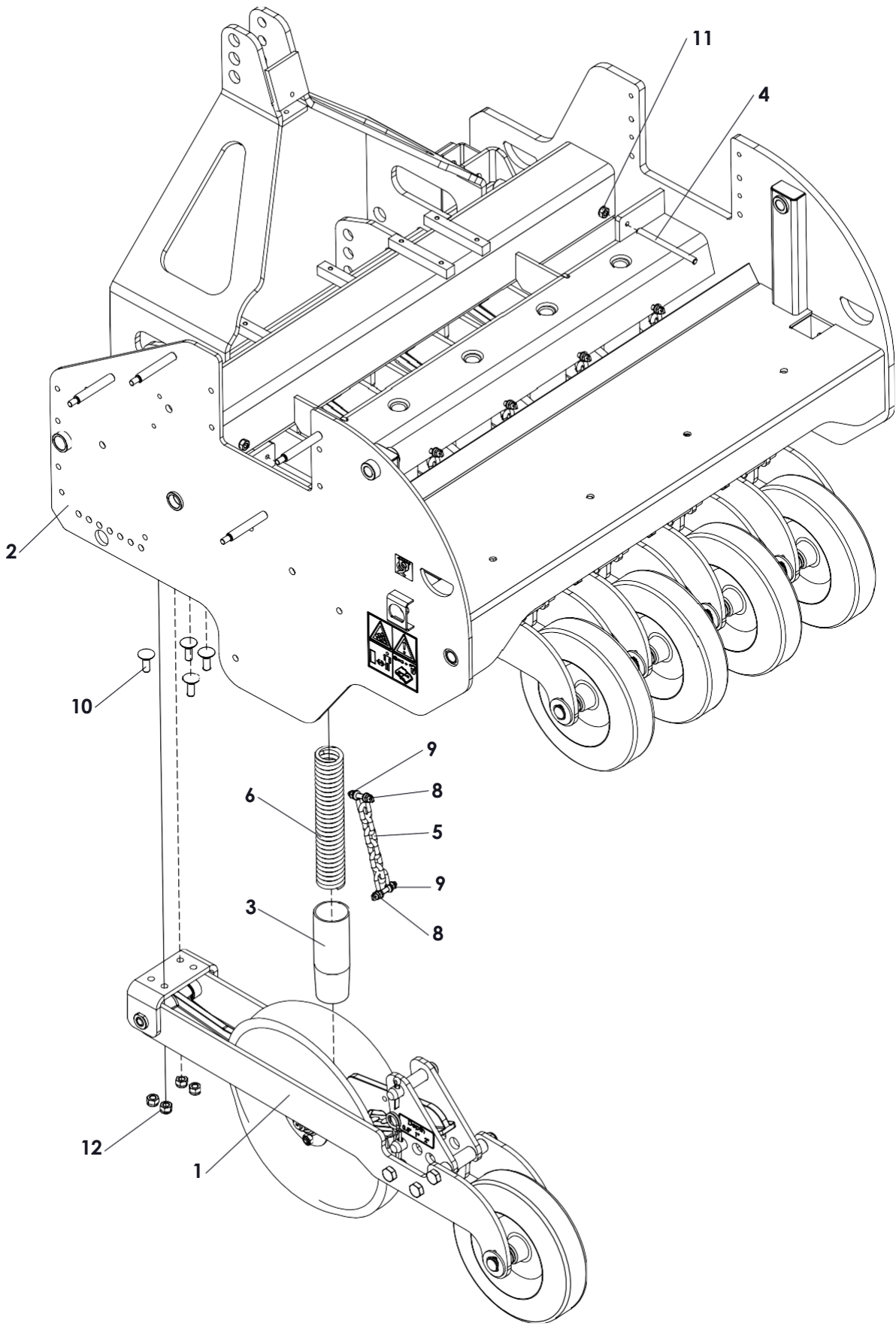


Pos.	Part number	Description	Qty.
1	G000030	Leg	4
2	1706100	Self-Lock Nut M6	4
3	1106060	Bolt M6 x 60	4
4	G000031	Lock pin	4
5	G300010	Rubber grip plate	1
6	3821625	Top link pin	1
7	3822228	3-point pin	2
8	3830500	R-clip Round 5	3
9	4020006	Serial number lable	1
10	4020010	Qr code label	1

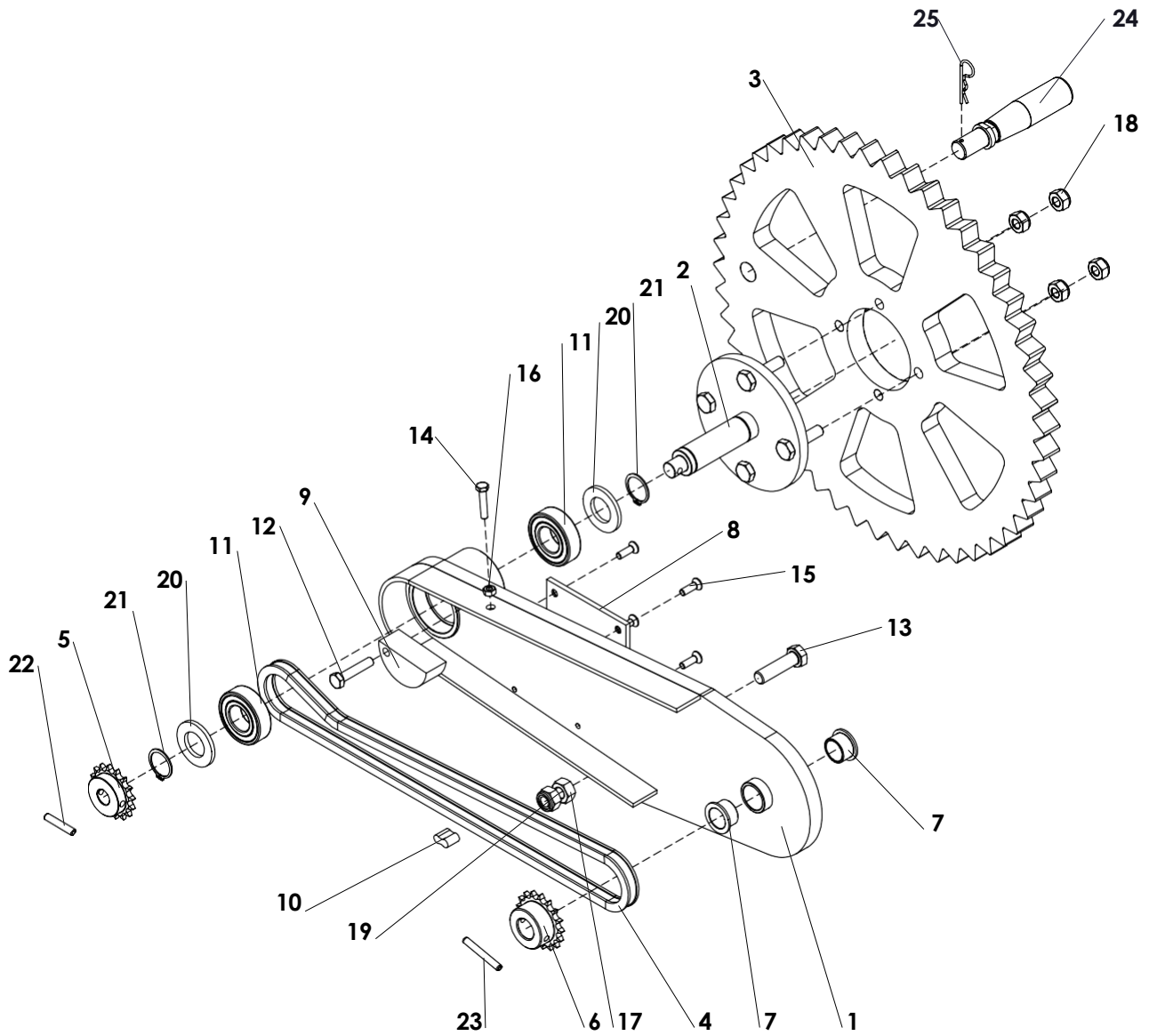
2G3-122095200-S01-PP07



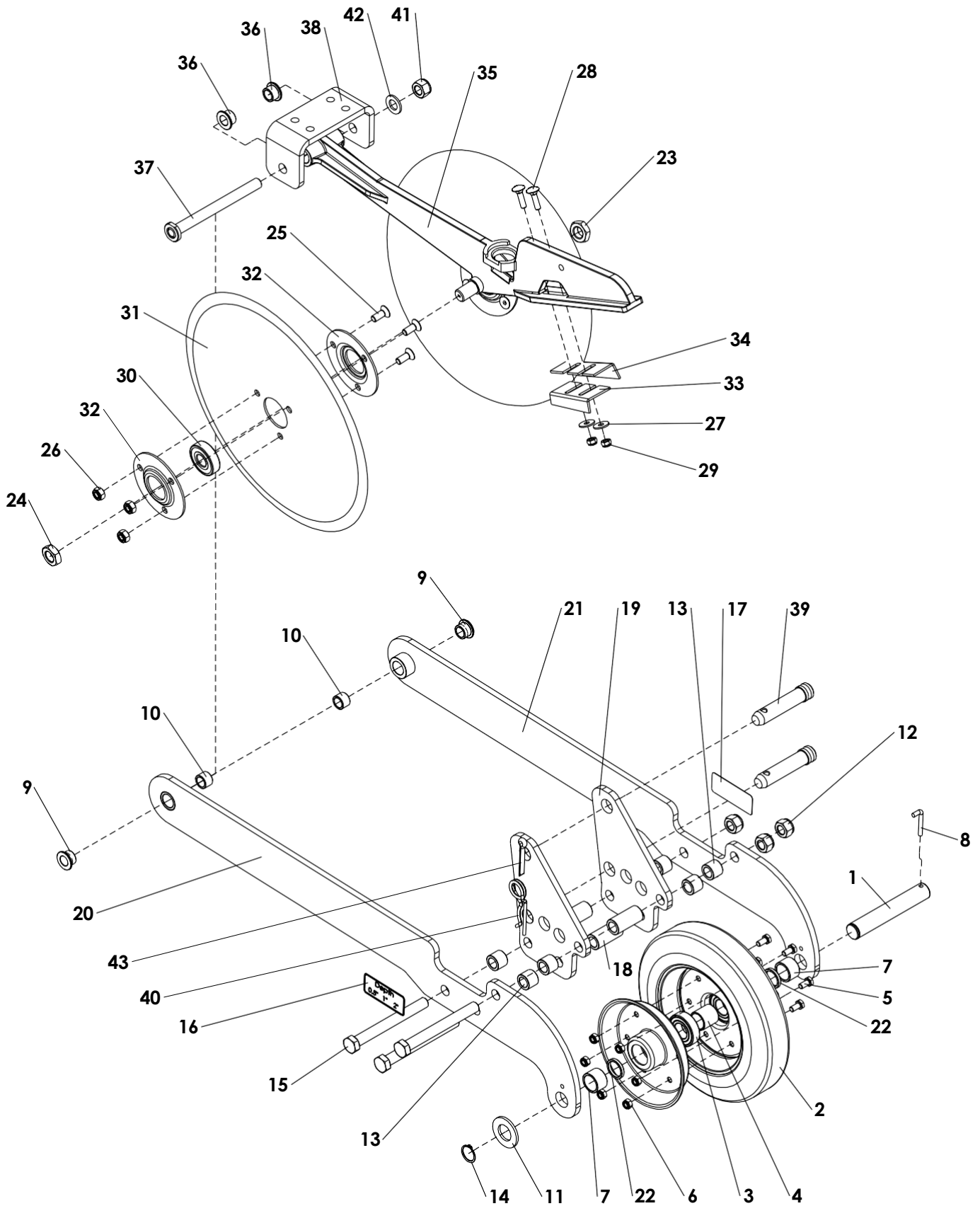
Pos.	Part number	Description	Qty.
1	1110120	Bolt M10 x 120	2
2	1110110	Bolt M10 x 110	1
3	2221000	Spring Washer M10	1
4	6011910	Spacer	3
5	G000033	Sensor bracket	1
6	6021260	Bush	1
7	G300031	Gearbox protection	1
8	G000032	Stud Ø15 L=134	4
9	3220150	Bearing bush	1
10	G000034	Guide swingarm	1
11	G300011	Support	1
12	G000042	Guide bar side plate	1
13	3630250	Spring wheel axle	1
14	4010003	Safety decal	2
15	4020002	Decal fixation point	3
16	1112045	Bolt M12 x 45	2
17	1010035	Bolt M10 x 35	2
18	1012030	Bolt M12 x 30	4
19	1024150	Bolt M24 x 150	1
20	1812175	Nut M12	3
21	1710150	Self-Lock Nut M10	11
22	1712175	Self-Lock Nut M12	8
23	1724200	Self-Lock Nut M24	1
24	4212080	Eye Bolt M12x80	2
25	2212401	Large washer M24	1
26	1010020	Bolt M10 x 20	1



Pos.	Part number	Description	Qty.
1	See page 10	Seed element	5
2	G300012	Frame G3	1
3	G000041	Seed guide	5
4	2310170	Threaded rod M10	2
5	3510806	Chain 6-links D=8mm	5
6	3705040	Compression spring	5
7	3520800	D-Shackle d=8mm complete with bolt and nut	10
8	1008045/10.9	Bolt M 8 x 45	10
9	1708125	Self-lock Nut M 8	10
10	1312035	MH Bolt M12 x 35 from serial number 233029	20
10	1014035	Bolt M14 x 35 till serial number 233028	10
11	1710150	Self-Lock Nut M10	11
12	1712175	Self-Lock Nut M12 from serial number 233029	20
12	1714200	Self-Lock Nut M14 till serial number 233028	10



Pos.	Part number	Description	Qty.
1	G000035	Frame swingarm	1
2	G000036	Wheel hub	1
3	G000038	Drive wheel	1
4	3338106	Chain 3/8" Simplex L=978	1
5	G000039	Sprocket 3/8" (06B) simplex 16Z	1
6	G000040	Sprocket 3/8" (06B) simplex 17Z	1
7	3220152	Bearing bush swingarm	2
8	G000044	Guide plate swingarm	1
9	G000043	Chain tensioner	1
10	3438000	Chain connector 3_8 inch	1
11	2806205	Bearing 6205-LLU	2
12	1108040	Bolt M8 x 40	1
13	1112045	Bolt M12 x 45 Class 10.9	1
14	1006030	Bolt M6 x 30	1
15	1410620	Bolt M6 x 20	4
16	1806100	Nut M6	1
17	1812175	Nut M12	1
18	1710150	Self-Lock Nut M10	4
19	1712175	Self-Lock Nut M12	1
20	2212400	Washer M24	2
21	2612500	Circlip d=25	2
22	2406035	Roll Pin 6 x 35	1
23	2406045	Roll Pin 6 x 45	1
24	GDO-06	Handle	1
25	3830200	R-Clip D=2	1



Seed elements per machine

- G3 : 5 elements
- G5 : 8 elements
- G8 : 13 elements
- G10: 16 elements

Pos.	Part number	Description	QTY.
1	G000045	Shaft	1
2	4328071	Wheel complete Will replace item nr 4328070	1
3	2806205	Bearing 6205-LLU	2
4	6025030	Inner bush	1
5	1008016	Bolt M8 x 16	6
6	1708125	Self Lock Nut M8	6
7	6025020	Distance bush	2
8	3830648	Lock pin	1
9	3216150	Bearing bush	2
10	3216155	Bearing bush	2
11	2212700	Washer M27	1
12	1716200	Self Lock Nut M16	3
13	6017020	Bush Ø16.5/Ø25 L=20	6
14	2612500	Circlip d=25	1
15	1116150	Bolt M16 x 150	3
16	4020003	Depth decall left	1
17	4020004	Depth decall right	1
18	6017052	Distance bush Ø25/Ø16.5 L=52	3
19	G000046	Height plate	2
20	G000047	Weldment seed element left	1
21	G000048	Weldment seed element right	1
22	6025005	Distance washer	2
23	1820002	Thin Nut M20 (Right thread)	1
24	1820002L	Thin Nut M20 (Left thread)	1
25	1411025	Bolt M10 x 25	6
26	1710150	Self Lock Nut M10	6
27	2210801	Large washer M8	2
28	1308030	MH Bolt M8 x 30	2
29	1708125	Self Lock Nut M8	2
30	2806304	Bearing 6304-LLU	2
31	G000049	Cutting disk Ø406	2
32	G000050	Center plate	2
33	G000051	Disc Scraper Large	1
34	G000052	Disc Scraper Small	1
35	G000053	Element	1
36	3216150	Bearing bush	2
37	G000054	Seeding element shaft	1
38	G000055	U holding bracket	1
39	3822112	Pin	2
40	3830500	R-clip Round 5,	1
41	1716200	Self Lock Nut M16	1
42	2211600	Washer M16	1
43	2408050K	Cotter Pin 8 x 50	1

Quantity of parts per Seed element

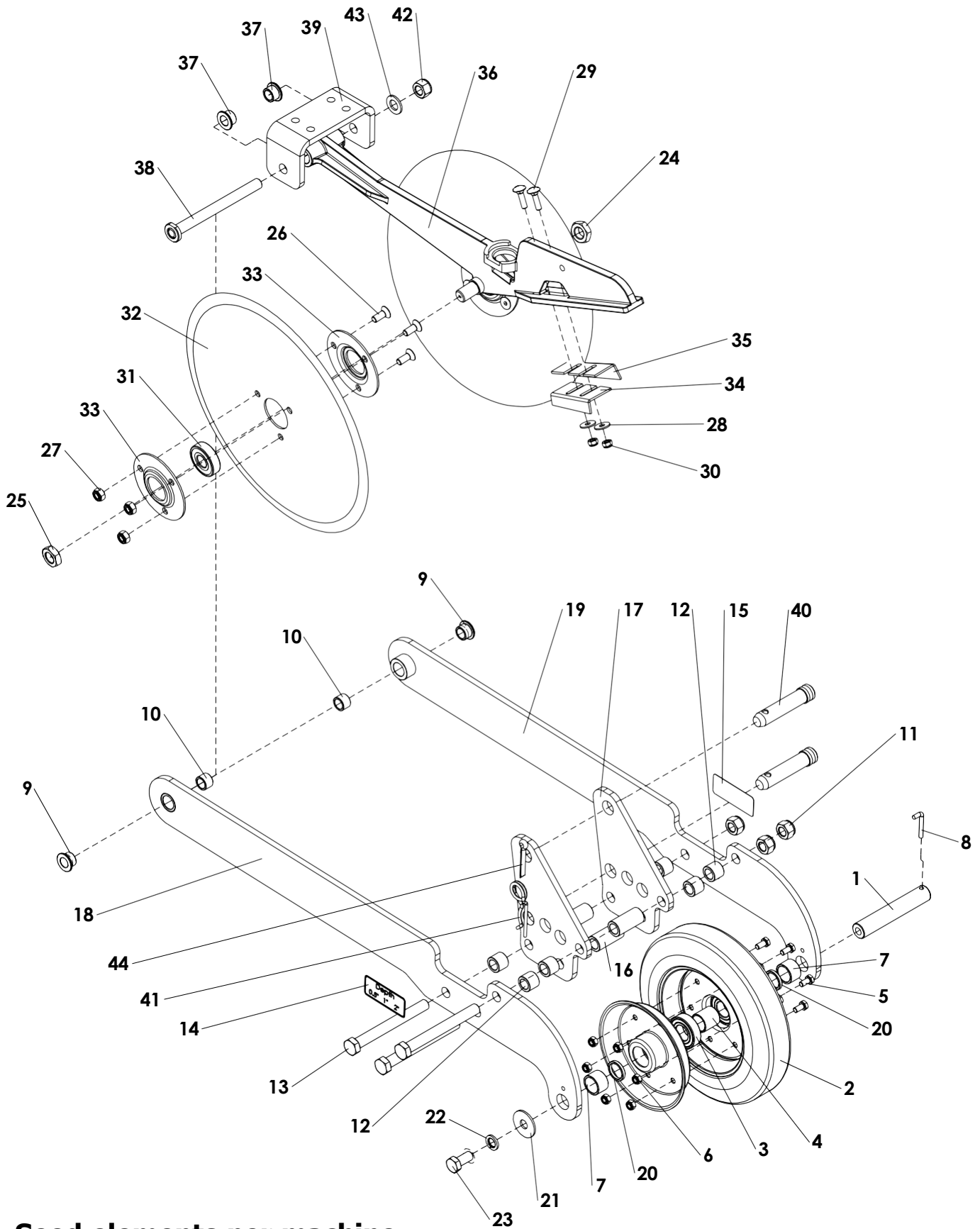
Seed elements per machine:

G3 => 5 elements

G5 => 8 elements

G8 => 13 elements

G10 => 16 elements



Seed elements per machine

- G3 : 5 elements
- G5 : 8 elements
- G8 : 13 elements
- G10: 16 elements

From serial number start with 25.....

Pos.	Part number	Description	Remarks	G3/G5/G8/G10
1	G000124	Shaft	From serial number start with 25....	1
2	4328071	Wheel complete assy		1
3	2806205	Bearing 6205-LLU		2
4	6025030	Inner bush		1
5	1008016	Bolt M8 x 16 - ISO 4017		6
6	1708125	Self Lock Nut M8 - ISO 10511		6
7	6025020	Distance bush		2
8	3830648	Lock pin		1
9	3216150	Bearing bush		2
10	3216155	Bearing bush		2
11	1716200	Self Lock Nut M16 - ISO 10511		3
12	6017020	Bush Ø16.5/Ø25 L=20		6
13	1116150	Bolt M16 x 150 - ISO 4014		3
14	4020003	Depth decal left		1
15	4020004	Depth decal right		1
16	6017052	Distance bush Ø25/Ø16.5 L=52		3
17	G000046	Height plate		2
18	G000047	Weldment seed element left		1
19	G000048	Weldment seed element right		1
20	6025005	Distance washer		2
21	2211401	Large washer M14 - DIN 9021	From serial number start with 25....	1
22	2221400	Spring washer M14 - DIN 127	From serial number start with 25....	1
23	1014030	Bolt M14 x 30 - ISO 4017	From serial number start with 25....	1
24	1820002	Thin Nut M20 -(Right thread)		1
25	1820002L	Thin Nut M20 - (Left thread)		1
26	1411025	Bolt M10 x 25 - DIN 7991		6
27	1710150	Self Lock-Nut M10 - ISO 10511		6
28	2210801	Large washer M8 - DIN 9021		2
29	1308030	MH Bolt M8 x 30 ISO 8677		2
30	1708125	Self Lock Nut M8 - ISO 10511		2
31	2806304	Bearing 6304-LLU		2
32	G000049	Cutting disk Ø406		2
33	G000050	Center plate		2
34	G000051	Disc Scraper Large		1
35	G000052	Disc Scraper Small		1
36	G000053	Element		1
37	3216150	Bearing bush		2
38	G000054	Seeding element shaft		1
39	G000055	U holding bracket		1
40	3822112	Pin for 3-point		2
41	3830500	R-clip Round 5, DIN 11024		1
42	1716200	Self Lock Nut M16 - ISO 10511		1
43	2211600	Washer M16 - ISO 7089		1
44	2408050K	Cotter Pin 8 x 50 - DIN 94		1

Seed elements per machine:

G3 => 5 elements

G5 => 8 elements

G8 => 13 elements

G10 => 16 elements

Quantity of parts per Seed element

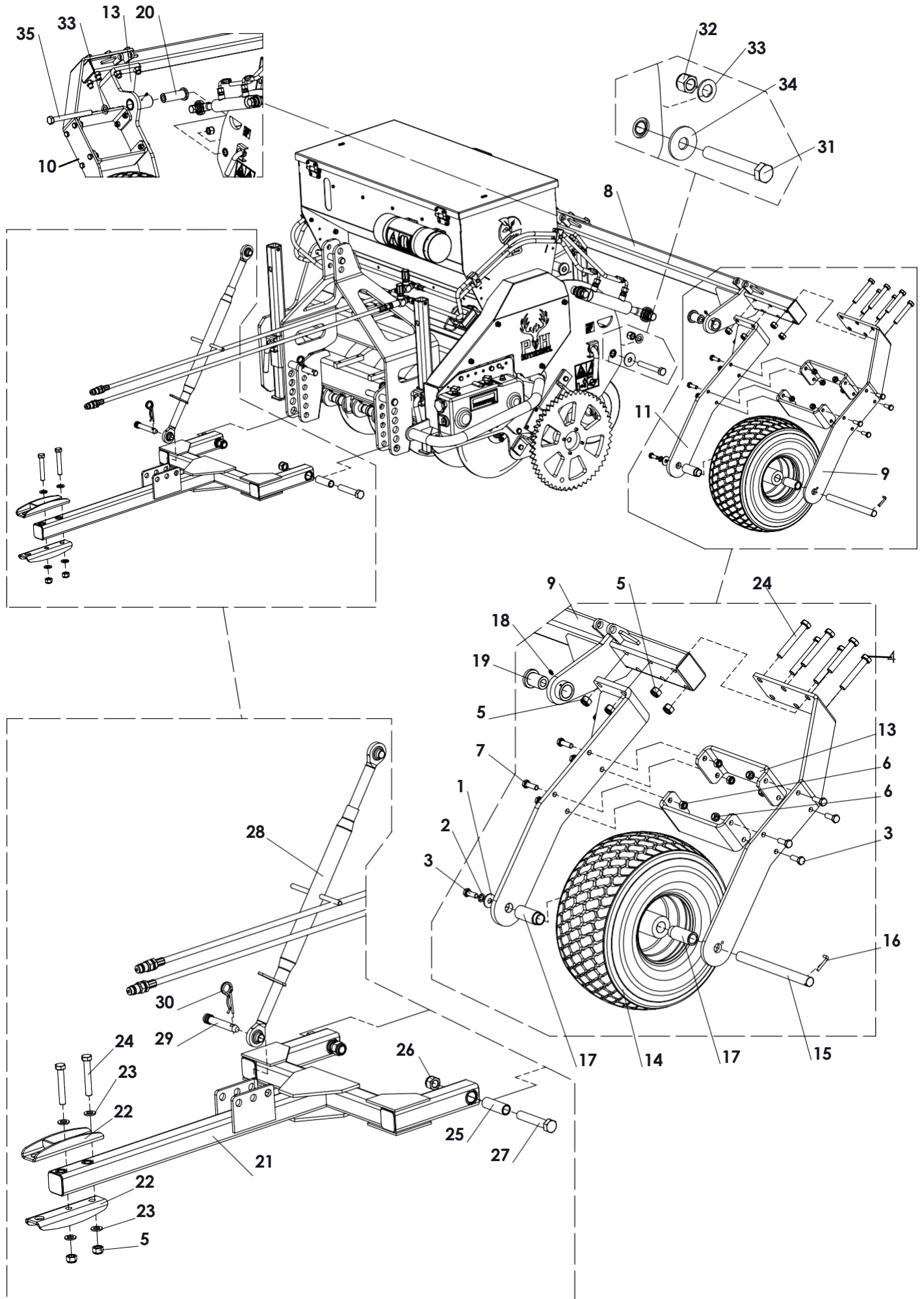
Pos.	Part number	Description	Qty.
1	G000056	Support bracket	1
2	6014290	Distance bush Ø20/Ø14.2 L=29	1
3	6014500	Distance bush Ø20/Ø14.2 L=50	3
4	6021045	Distance bush	2
5	6021009	Distance bush Ø30/Ø20.5 L=9	1
6	G000057	Bearing block	2
7	G000058	Dust cover	2
8	G000059	Disc Ø220/ 3mm	1
9	G000060	Arm	2
10	G000061	Lock plate	1
11	3640127	Spring	1
12	2806304	Bearing 6304-LLU	2
13	1112140	Bolt M14 x 140	4
14	111406510.9	Bolt M14 x 65	1
15	1114090	Bolt M14 x 90	3
16	1006020	Bolt M6 x 20	3
17	1706100	Self-Lock Nut M6	3
18	1712175	Self-Lock Nut M12	4
19	1714200	Self-Lock Nut M14	4
20	2211200	Washer M 12	2
	GDO-04	Coulter knife kit include pos. 1 till 20	

G3 need 5 coulter kits for the complete machine

G5 need 8 coulter kits for the complete machine

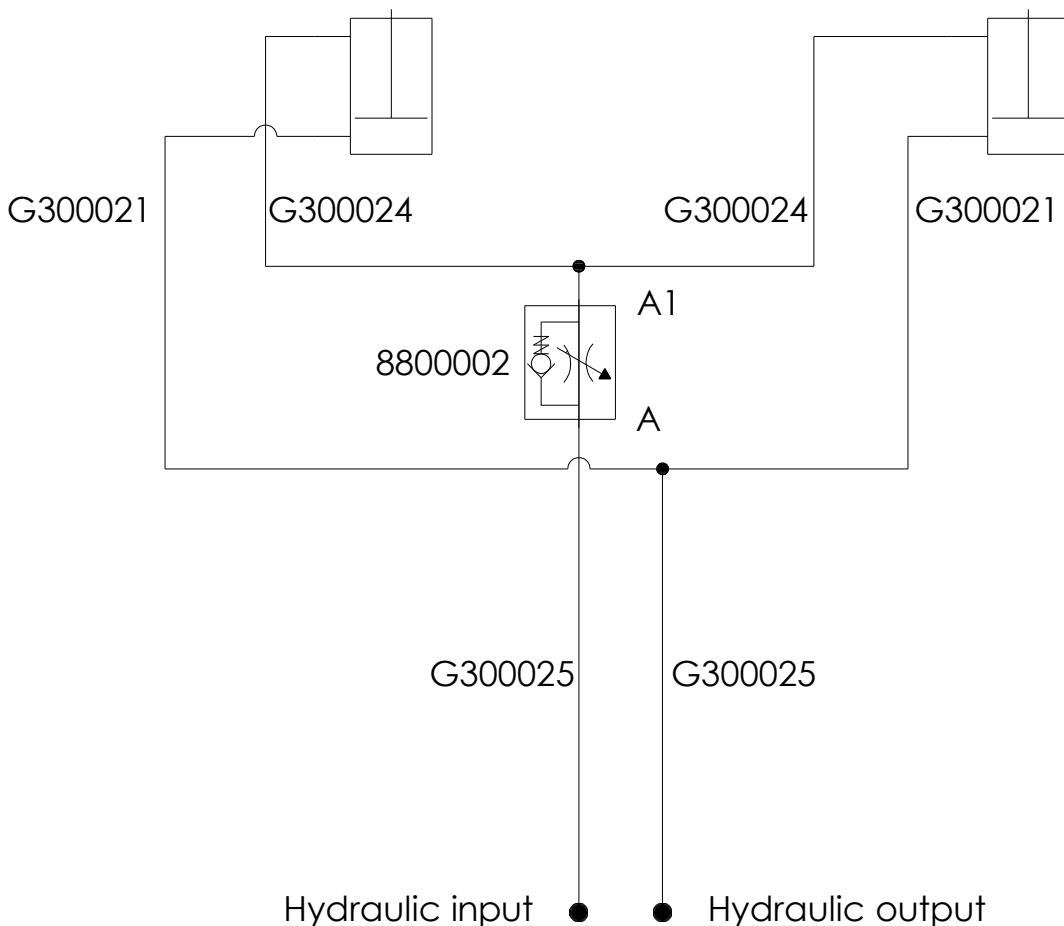
G8 need 13 coulter kits for the complete machine

G10 need 16 coulter kits for the complete machine

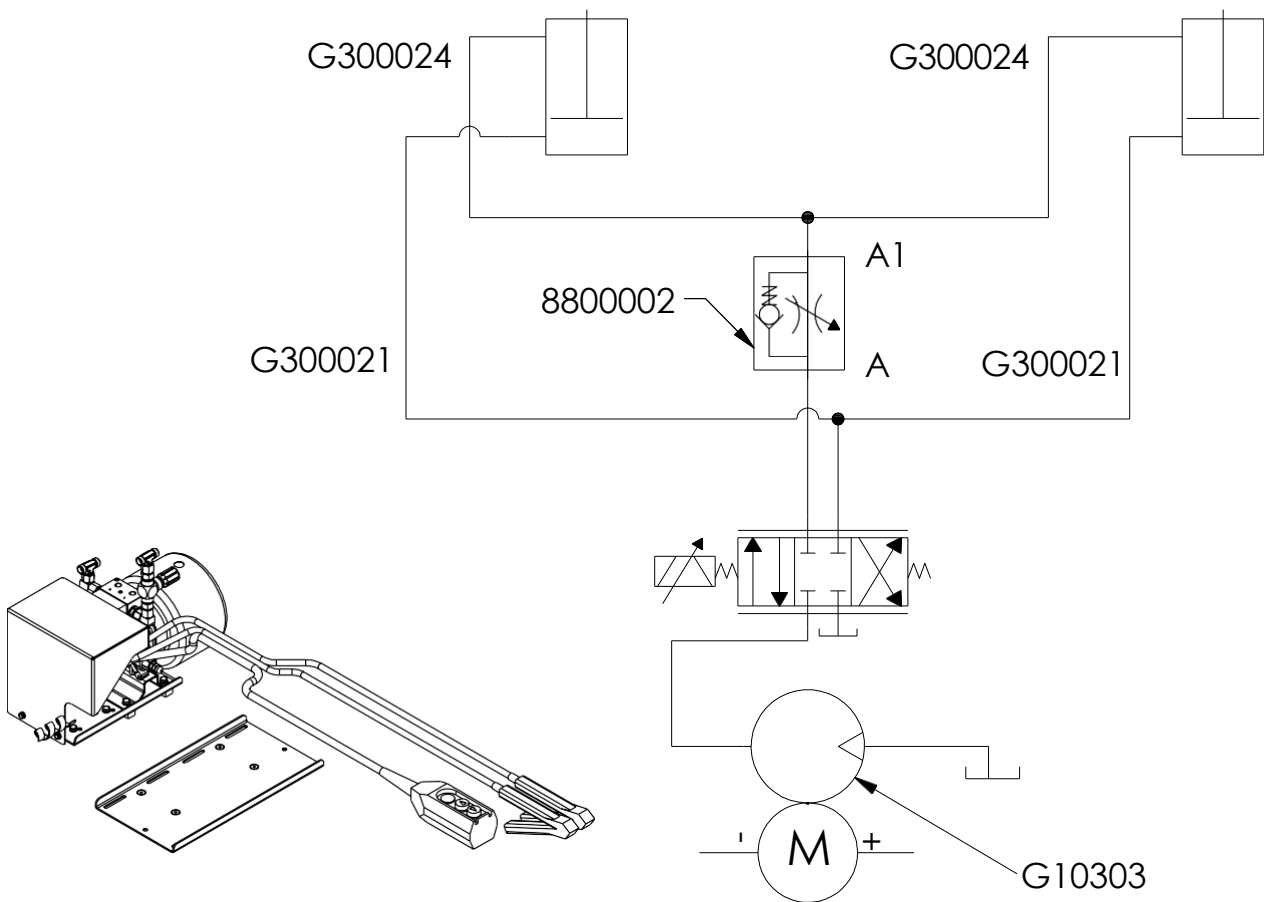


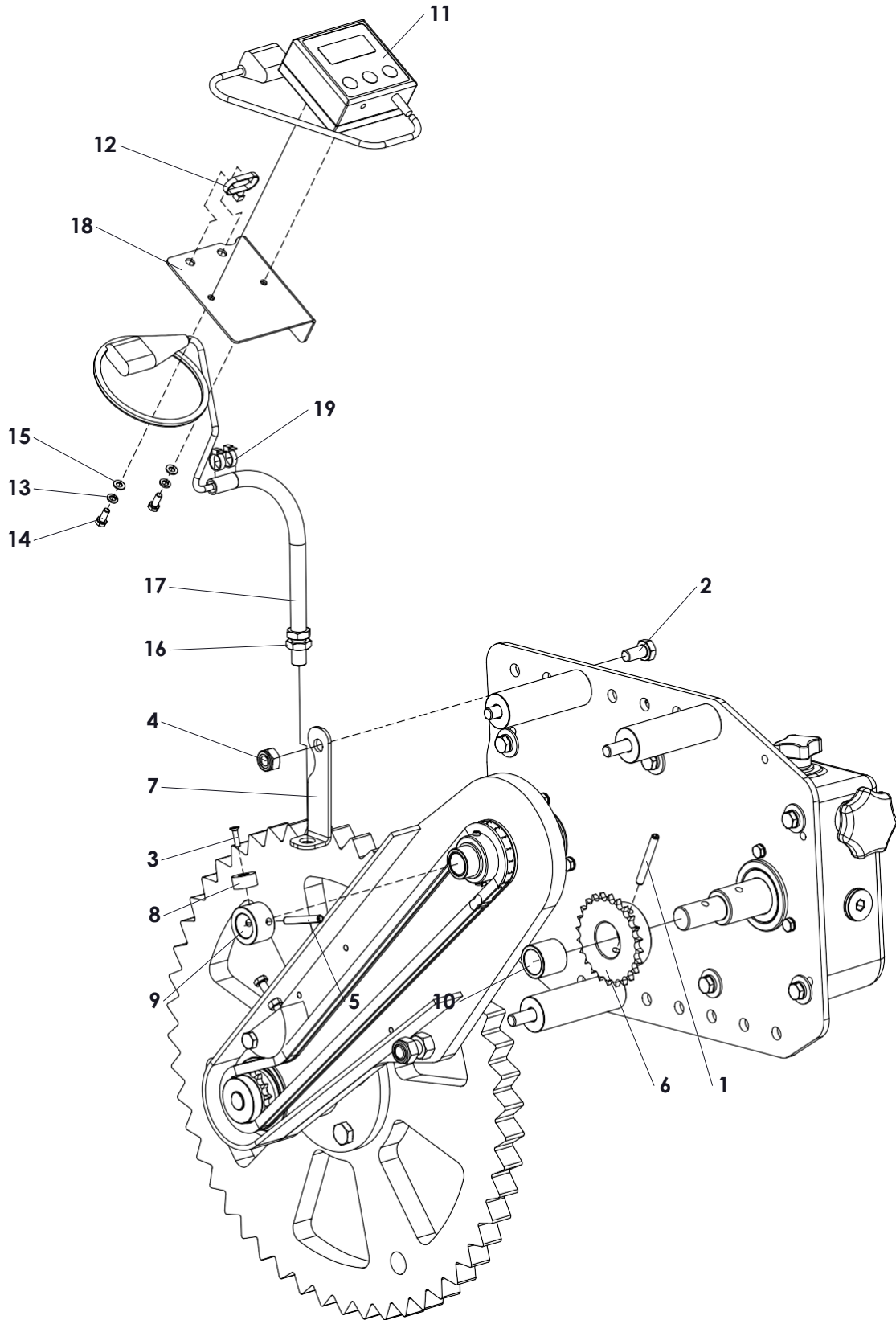
Pos.	Part number	Description	Qty.
1	2211201	Large washer M12	2
2	2221200	Spring Washer M12	2
3	1012035	Bolt M12 x 35	10
4	1116110	Bolt M16 x 110	8
5	1716200	Self-Lock Nut M16	12
6	1712175	Self-Lock Nut M12	16
7	1012040	Bolt M12 x 40	8
8	G300013	Main beam	1
9	G300014	Wheel support long	1
10	G300015	Wheel support long	1
11	G300016	Inner support wheel boggy	1
12	G300017	Inner support wheel boggy	1
13	G300018	U-Bridge	4
14	4318958	Wheel 18x9.5x8	2
15	G300030	Wheel Shaft	2
16	3836048	Lock pin	2
17	6025700	Distance Bush Wheel	4
18	4406180	Grease nipple M6	2
19	6020102	Collar bush Ø50/Ø34.8 Ø19.5 L=102	1
20	6020060	Collar bush	1
21	G300019	Drawbar	1
22	G300020	Tow eye	2
23	2211600	Washer M16	4
24	1116100	Bolt M16 x 100	2
25	6022085	Distance bush Ø28/Ø22 L=85	2
26	1722250	Self-Lock Nut M22	2
27	1122120	Bolt M22 x 120	2
28	3811970	Toplink	1
29	3821912	Top Link Pin	1
30	3830500	R-clip Round 5	1
31	1634140	Hex Bolt 3/4-16 L=5.5 UNC	4
32	1934001	SL Nut 3/4"-16 UNF	2
33	2212000	Washer M20	6
34	2212001	Large washer M20	1
35	1634200	Hex Bolt 3/4-16 L=8 UNC	1

Pos.	Part number	Description	Qty.
1	8015150	Hose clamp double 15mm	16
2	8015151	Cover plate hose clamp 2x15 - 2x18	8
3	1108050	Bolt M8 x 50	8
4	8015150	Hose clamp double 12mm	2
5	8015151	Cover plate hose clamp 2x10 - 2x12	1
6	1108060	Bolt M8 x 60	1
7	8112121	T-Connector 12x12x12	2
8	8238120	Nipple BSP 3_8" x pipe 12 (M18)	5
9	8800005	Hydraulic cylinder 30-50 stroke 125mm L0=386	2
10	8800002	Flow reducer 3/8" FPU05001	1
11	G300021	Hose NSK-10 TL=1860 1xPGLO1018 + 1xPGLO101890	1
12	G300021	Hose NSK-10 TL=1860 1xPGLO1018 + 1xPGLO101890	1
13	G300024	Hose NSK-10 TL=1950 1xPGLO1018 + 1xPGLO101890	1
14	G300024	Hose NSK-10 TL=1950 1xPGLO1018 + 1xPGLO101890	1
15	G300025	Hose NSK10-3/8" TL=3000 PGLO1018 + PN108	2
16	8800001	Quick connector male 1/2"	2
17	1634089	Hex Bolt 3/4-16 L=3.5 UNF	2
18	1634140	HFBOLT 0.75-16x5.5x1.75-C	2
19	1708125	Self-Lock Nut M8	9
20	1934001	SL Nut 3/4"-16 UNF	4
21	2212000	Washer M20 - ISO 7089	4
22	2233800	Copper washer 3_8	6
23	2231200	Copper washer 1_2	2
24	8638120	Joint Connector 12L R3/8" - EGESD12LR38WD	1



Item	Part number	Description	Qty.
1	G10303	Hydraulic pump + oil tank	1
2	G300027	Accu tray	1
3	G300035	Square 20x20 with holes	2
4	G300036	Hydr. motor mounting plate	1
5	G300037	Cover plate	1
6	8800002	Flow reducer 3/8" FPU05001	1
7	8312121	L-Connector PM, Pipe 12-M18 EWVD12L	2
8	8112122	T-Connector 12x12x12 TV12L	2
9	8238120	Nipple BSP 3_8" x pipe 12 (M18) GES12LR38P050GP	1
10	G300028	Cable set 4.5mtr	1
11	G300039	Electric control unit	1
12	3900004	Protection sleeve L=500mm	1
13	2233800	Copper washer 3_8	5
14	1006016	Bolt M6 x 16	2
15	1008020	Bolt M8 x 20	8
16	1410820	Bolt M8 x 20	4
17	1706100	Self-Lock Nut M6	2
18	2210600	Washer M6	2
19	2220600	Spring Washer M6	2
20	2220800	Spring Washer M8	8
21	8638120	Joint Connector 12L R3/8" - EGESD12LR38WD	3



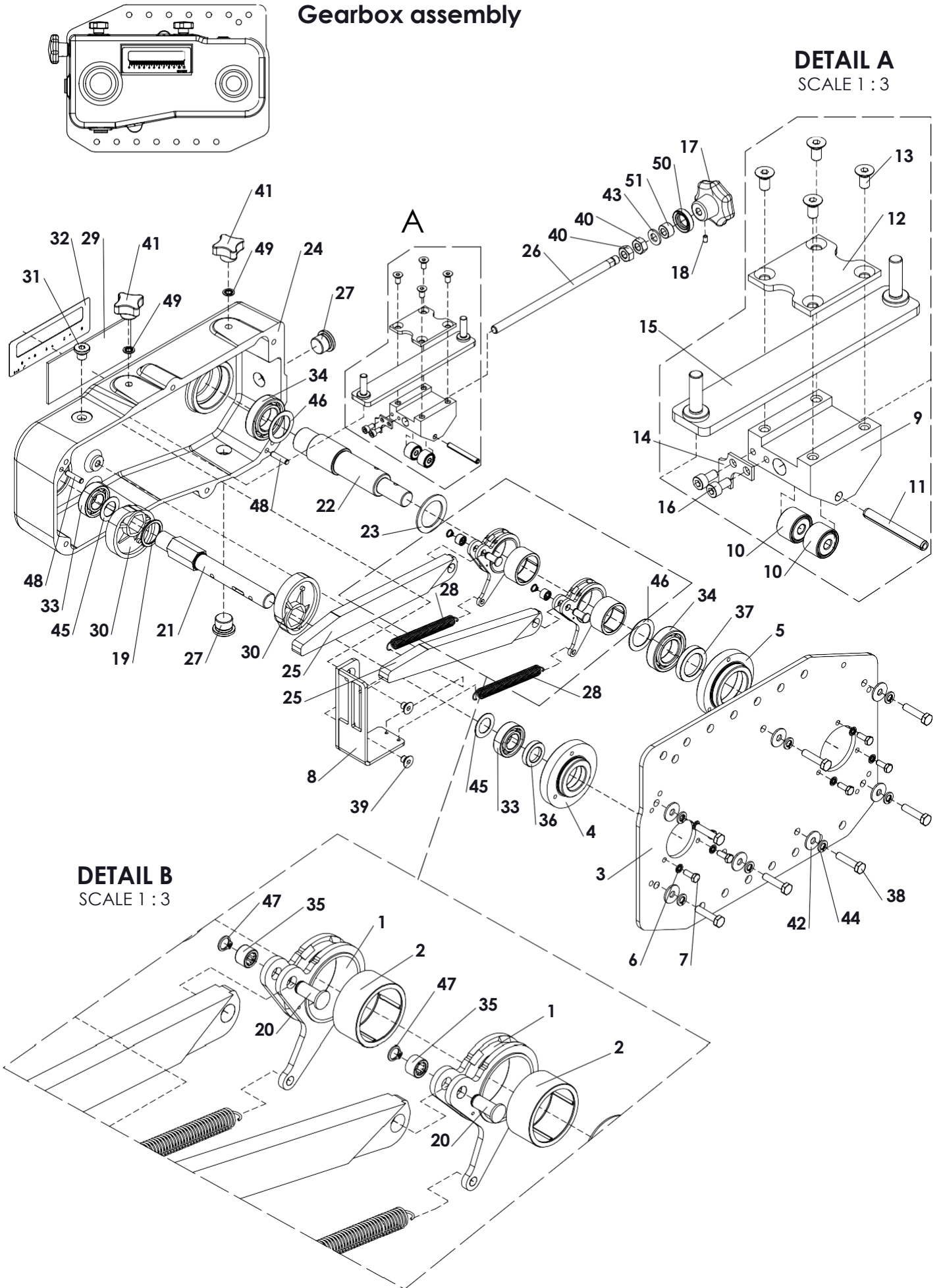


Pos.	Part number	Description	Qty.
1	2406050	Roll pin 6 x 50	1
2	1010020	Bolt M10 x 20	1
3	1410416	Bolt M4 x 16	1
4	1710150	Self-lock Nut M10	1
5	2406045	Roll pin 6 x 45	1
6	G000083	Sprocket Z 24	1
7	G000033	Sensor bracket	1
8	G000084	Magnet	1
9	G000085	Magnet bush	1
10	G000086	Bush	1
11	G000087	Counter UC300	1
12	3900007	Cable tie 4.8x200	1
13	2220500	Spring washer M5	2
14	1005012	Bolt M 5 x 12	2
15	2210500	Washer M5	2
16	G000088	Magnetic sensor D10+cable +magnet	1
17	3900006	Protection tube	1
18	G000089	Bracket Counter	1
19	3900007	Cable tie 4.8x200	2

Gearbox assembly

DETAIL A

SCALE 1 : 3

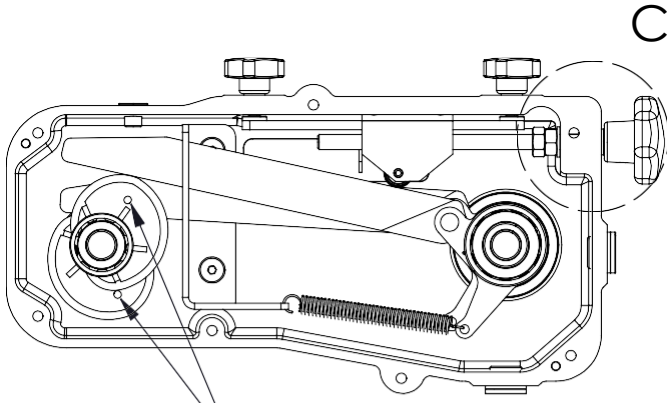


DETAIL B

SCALE 1 : 3

Pos.	Part number	Description	Qty.
1	G000025	Rocker arm	2
2	2703520	Bearing HF3520	2
	G000093	Rocker arm assy include pos.1+2	2
3	G000062	Gearbox back plate	1
4	G000091	Bearing hub 42 mm	1
5	G000092	Bearing hub 55 mm	1
6	2250600	Bonded seal ring M6	6
7	1006016	Bolt M 6 x 16	6
8	G000063	Guide plate	1
9	G000064	Slider block	1
10	2700612	Roller bearing	2
11	2406050	Roll Pin 6 x 50	1
12	G000067	Lock plate	1
13	1410612	Bolt M6 x 12	4
14	G000068	Indicator	1
15	G000069	Slider bracket	1
16	1420510	Inner hexagon bolt M5 x 10	2
17	G000070	Knurled knob M10x63	1
18	2505008	Set screw M5 x 8	1
19	G000071	Spacer	1
20	G000072	Pin	2
21	G000073	Shaft	1
22	G000074	Shaft	1
23	G000075	Washer	1
24	G000076	Casted gearbox housing	1
25	G000077	Rocker strip	2
26	G000078	Threaded rod M10x210	1
27	8712001	Blind plug G1/2	2
28	G000079	Spring	2
29	G000080	Window	1
30	G000081	Ex center	2
31	8714001	Blind plug from serial number 24..... before this it was a breather 8714002	1
32	G000082	Gauge decal	1
33	2706004	Bearing 6004	2
34	2706006	Bearing 6006	2
35	2700808	Bearing HK0808	2
36	7020320	Oil seal 20-32-7	1
37	7030450	Oil seal 30-45-8	1
38	1008035	Bolt M8 x 35	7
39	1410810	Bolt M8 x 10	2
40	1810150	Nut M10	2
41	1808002	Closed Knob M8	2
42	2210801	Large washer M8	9
43	2211000	Washer M10	1
44	2220800	Spring Washer M8	7
45	2242010	Shim Ø20xØ32x1.0	2
46	2243010	Shim Ø30xØ42x1.0	2
47	2610800	Circlip d=8	2
48	2406026/P	Parallel pin 6 x 26	2
49	2250800	Bonded seal ring M8	2
50	7017290	Oil seal 17x29x7	1
51	G000101	Stainless steel bush M 10 use locktide when mounted on shaft	1
	G000090	Speed adjustable box complete (include pos. 1 till 48)	1

Without side cover



Warning!

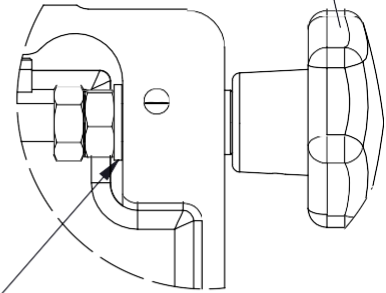
Make sure the excenters are positioned correct:

- The nodge has to be faced outwards.
 - Timing: 180° shifted from each other
- If not correctly installed a shocked rotation will occur at the output shaft.

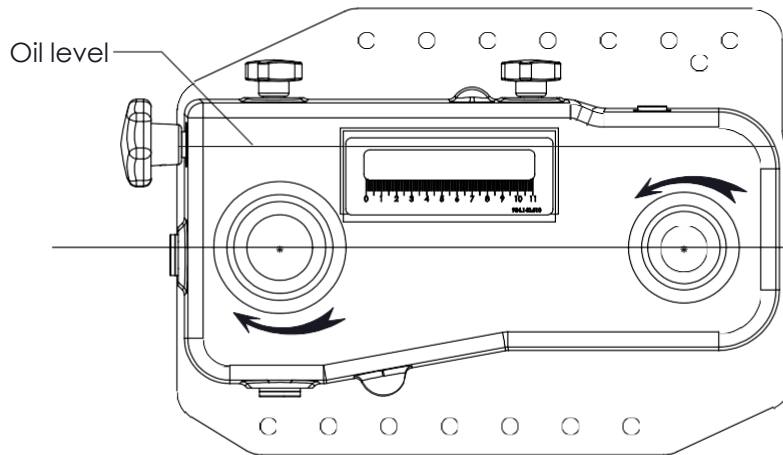
DETAIL C

SCALE 1 : 2

Mount knob as far as possible on threaded rod and adjust set screw



Keep ±2mm clearance distance between washer and casting! Adjustment must rotate smooth.

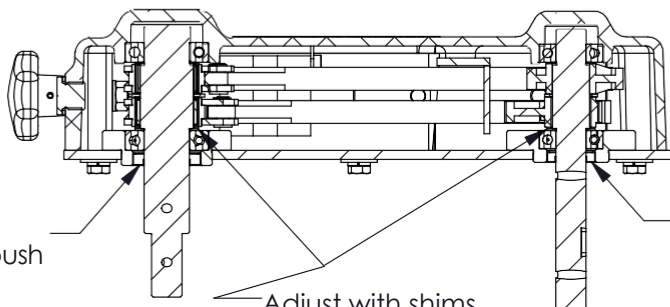


Oil level

Fill gearbox with ±2,5L 80W90 oil
Fill till oil level line.
Check for leakage after filling

SECTION D-D

SCALE 1 : 5



Outside seal even to outside bush

Outside seal even to outside bush

Adjust with shims.
Free play: ±0 - 0.5mm